

EQUIP. TYPE R-390A/URR EXP. NO.

Col. 380-0588/589-00

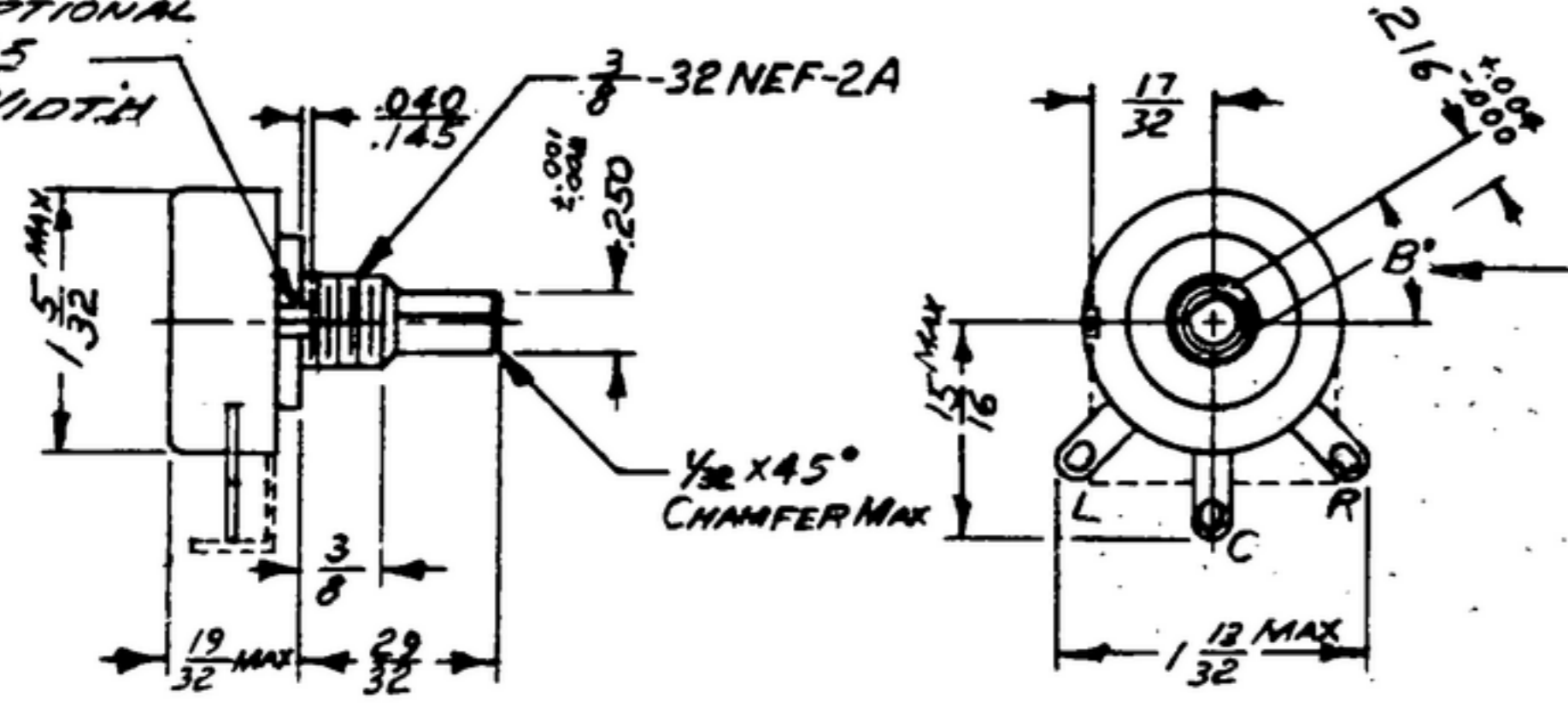
NOTICE: WHEN GOVERNMENT DRAWINGS, SPECIFICATIONS, OR OTHER DATA ARE USED FOR ANY PURPOSE OTHER THAN THAT FOR WHICH THEY WERE PREPARED, THE USER ASSUMES ALL RESPONSIBILITY FOR ANY INADEQUACIES, OMISSIONS, OR ERRORS THAT MAY BE ENCOUNTERED BY THE USER. THE USER SHALL BE RESPONSIBLE FOR OBTAINING THE NECESSARY PERMISSIONS FROM THE GOVERNMENT FOR ANY REPRODUCTION OR USE OF THIS DRAWING OR DATA FOR ANY OTHER PURPOSE.

THIS DRAWING HAS BEEN FORWARDED BY THE GOVERNMENT AND MAY BE REPRODUCED AND USED IN CONNECTION WITH ANY GOVERNMENT PROGRAM OR CONTRACT.

*FOR INFORMATION ONLY, CONTRACTOR MAY AT HIS OPTION DEVIATE FROM THESE PROCESS DETAILS.

*SWE APPROVAL		REVISIONS			
SYM	PR	SYM	DESCRIPTION	DATE	APPROVAL
		A ₁	A ₁ - WAS JAN -R-94	19 OCT. 59	42428-PC-59-A1-51 REV'D. PME
B ₁	CA 84682	B ₁	B ₁ - WAS TYPE J	23 FEB 60	42428-PC-59 REV'D. PME

DESIGN OPTIONAL
±.005
DIA. OR WIDTH



PARTS ARE SHOWN IN EXTREME COUNTER-CLOCKWISE POSITION.

COLLINS PART NUMBER	DASH NUMBER	TOTAL RESISTANCE OHMS	RESIS. TOL	POSITION OF FLAT "B"	RMA TAPER CODE
359-0305-003	SM-C-28320A-1	2,500	±20%	24.6°	10CLOG
559-0306-003		2,500	±20%	66°	20CLOG

(B₁)

NOTES:
1. PART MAY BE TYPE 96, AS SUPPLIED BY CHICAGO TELEPHONE SUPPLY CORP., ELKHART, IND., OR EQUAL, PROVIDING IT MEETS THE FOLLOWING REQUIREMENTS AND DIMENSIONS SHOWN.

DESCRIPTION: VARIABLE COMPOSITION RESISTORS, FOR USE IN MILITARY EQUIPMENT.
POWER DISSIPATION: 1 WATT MINIMUM AT 70°C.
ENCLOSURE: RESISTORS SHALL HAVE SUITABLE ENCLOSURES FOR PROTECTION AGAINST MECHANICAL DAMAGE AND SHALL BE SUBSTANTIALLY DUSTPROOF.
FINISH: UNITS SHALL WITHSTAND 100 HOUR SALT SPRAY TEST IN ACCORDANCE WITH LATEST VERSION OF FEDERAL SPECIFICATION QQ-M-151.
FUNGUS TREATMENT: PHENOLIC PARTS SHALL BE NON-NUTRIENT TO FUNGI, OR THE JUNCTION BETWEEN METAL COVER AND PHENOLIC BASE SHALL BE COATED WITH VARNISH (NOT LACQUER) CONTAINING A MINIMUM OF 8% SALICYLAMILIDE.
DESIGN OF TERMINAL OPTIONAL: SIZE AND STYLE SHALL PERMIT ACCOMMODATING AND SOLDERING THREE 0.032" DIAMETER (#20 AWG) WIRES. LUGS SHALL BE SUITABLY COATED TO FACILITATE SOLDERING.
FLAT ON SHAFT SHALL BE 5/8" LONG OR SHALL EXTEND TO WITHIN 0.062" OF MOUNTING BUSHING.
MOUNTING HARDWARE TO BE SUPPLIED: NONE.
CONSTRUCTION SHALL BE IN ACCORDANCE WITH THE INTENT OF JOINT ARMY-NAVY SPECIFICATION MIL-R-94B. (A₁)
UNITS SHALL BE PERMANENTLY AND LEGIBLY MARKED WITH CONTRACTOR'S PART NUMBER, RESISTANCE VALUE, AND MANUFACTURER'S NAME OR TRADEMARK, AND SHALL BE IN ACCORDANCE WITH SPEC MIL-M-13231.

*WHEN PART NO APPEARS AS 559-0306, 2-3 MILITARY SOURCE INSPECTION IS REQUIRED.

COLLINS PART NO.	ITEM	QTY	RECD	PART NO.	DESCRIPTION	DATE	DATE OF REQ
LIST OF MATERIAL							
COLLINS PART NO. 559-0306-003							

DRAWN <i>Holmer</i>		CHECKED <i>[Signature]</i>		APPROVED		COLLINS-RADIO CO. 14214-PH-51-93		DEPARTMENT OF THE ARMY SIGNAL CORPS ENGINEERING LABORATORIES	
UNLESS OTHERWISE SPECIFIED: DECIMAL DIMENSIONS INCLUDING HOLE SIZES MAY VARY ±.005 FRACTIONAL DIMENSIONS INCLUDING HOLE SIZES MAY VARY ±1/64 MACHINED ANGLES MAY VARY ±1° SHEARED ANGLES MAY VARY ±.25° BROKEN ANGLES MAY VARY ±1° ECCENTRICITY BETWEEN ANY DIAMETERS ON THE SAME CENTERLINE SHALL NOT EXCEED .010 TOTAL INDICATOR READING. ALL DIMENSIONS ARE FINISH DIMENSIONS INCLUDING APPLIED FINISH AND ARE GIVEN IN INCHES.		REVIEWED <i>PME</i>		APPROVED <i>HLV</i> <i>PME</i>		RESISTOR-VARIABLE		FORT MONMOUTH NEW JERSEY	
559-0306-004 - 1 SM-D-24913A SC-DL-248775		NEXT ASSY		USED ON		DATE 23 JAN 56		SCALE 1/1	
APPLICATION								SM-C-283204	